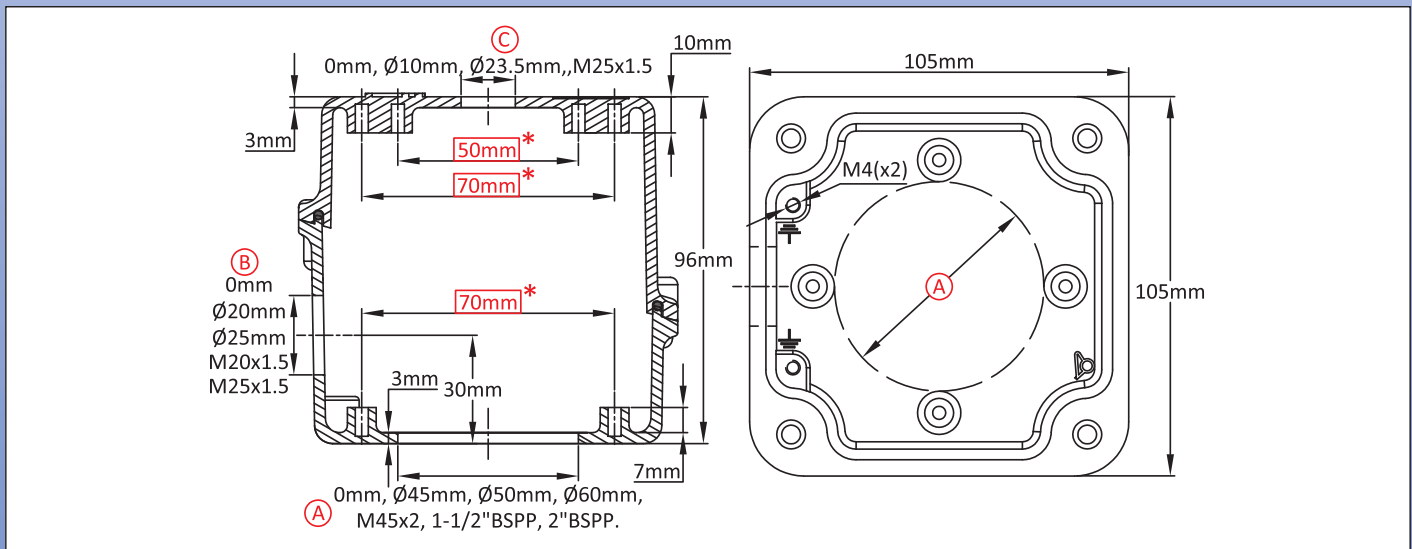




Enclosure for immersion heater

Size(mm)	Volume(cm ³)	Material	Protection grade		Model
105 x 105 x 96	858	Aluminum	IP69K	IK10	Y305 (P1)

Suitable for
<input type="checkbox"/> Temperature sensor
<input checked="" type="checkbox"/> Immersion heater
<input type="checkbox"/> Finned heater
<input checked="" type="checkbox"/> Thermostat
<input type="checkbox"/> Level sensor
<input checked="" type="checkbox"/> Electronic board



Main references

(A) (mm)	(B) (mm)	(C) (mm)	Not painted	Painted	(A) (mm)	(B) (mm)	(C) (mm)	Not painted	Painted
0	0	0	Y305000000000007	Y30500000000000G	0	M25x1.5	0	Y30500001T500007	Y30500001T50000G
0	0	10	Y305000A00000007	Y305000A0000000G	0	M25x1.5	10	Y305000A1T500007	Y305000A1T50000G
0	0	23.5	Y305000D00000007	Y305000D0000000G	0	M25x1.5	23.5	Y305000D1T500007	Y305000D1T50000G
0	0	M25x1.5	Y305000F00000007	Y305000F0000000G	0	M25x1.5	M25x1.5	Y305000F1T500007	Y305000F1T50000G
0	20	0	Y305000012000007	Y30500001200000G	45	0	0	Y305450000000007	Y30545000000000G
0	20	10	Y305000A12000007	Y305000A1200000G	45	0	10	Y305450A000000007	Y305450A00000000G
0	20	23.5	Y305000D12000007	Y305000D1200000G	45	0	23.5	Y305450D000000007	Y305450D00000000G
0	20	M25x1.5	Y305000F12000007	Y305000F1200000G	45	0	M25x1.5	Y305450F000000007	Y305450F00000000G
0	25	0	Y305000012500007	Y30500001250000G	45	20	0	Y305450012000007	Y30545001200000G
0	25	10	Y305000A12500007	Y305000A1250000G	45	20	10	Y305450A12000007	Y305450A1200000G
0	25	23.5	Y305000D12500007	Y305000D1250000G	45	20	23.5	Y305450D12000007	Y305450D1200000G
0	25	M25x1.5	Y305000F12500007	Y305000F1250000G	45	20	M25x1.5	Y305450F12000007	Y305450F1200000G
0	M20x1.5	0	Y30500001T000007	Y30500001T00000G	45	25	0	Y305450012500007	Y30545001250000G
0	M20x1.5	10	Y305000A1T000007	Y305000A1T00000G	45	25	10	Y305450A12500007	Y305450A1250000G
0	M20x1.5	23.5	Y305000D1T000007	Y305000D1T00000G	45	25	23.5	Y305450D12500007	Y305450D1250000G
0	M20x1.5	M25x1.5	Y305000F1T000007	Y305000F1T00000G	45	25	M25x1.5	Y305450F12500007	Y305450F1250000G

Cable gland not included in these reference, consult us if you want them.

Red dimensions inside rectangular frames are used for accessories assembly.

Enclosure for immersion heater

**Y305
(P2)**



(A) (mm)	(B) (mm)	(C) (mm)	Not painted	Painted	(A) (mm)	(B) (mm)	(C) (mm)	Not painted	Painted
45	M20x1.5	0	Y30545001T000007	Y30545001T00000G	M45x2	20	23.5	Y305M45D12000007	Y305M45D1200000G
45	M20x1.5	10	Y305450A1T000007	Y305450A1T00000G	M45x2	20	M25x1.5	Y305M45F12000007	Y305M45F1200000G
45	M20x1.5	23.5	Y305450D1T000007	Y305450D1T00000G	M45x2	25	0	Y305M45012500007	Y305M4501250000G
45	M20x1.5	M25x1.5	Y305450F1T000007	Y305450F1T00000G	M45x2	25	10	Y305M45A12500007	Y305M45A1250000G
45	M25x1.5	0	Y30545001T500007	Y30545001T50000G	M45x2	25	23.5	Y305M45D12500007	Y305M45D1250000G
45	M25x1.5	10	Y305450A1T500007	Y305450A1T50000G	M45x2	25	M25x1.5	Y305M45F12500007	Y305M45F1250000G
45	M25x1.5	23.5	Y305450D1T500007	Y305450D1T50000G	M45x2	M20x1.5	0	Y305M4501T000007	Y305M4501T00000G
45	M25x1.5	M25x1.5	Y305450F1T500007	Y305450F1T50000G	M45x2	M20x1.5	10	Y305M45A1T000007	Y305M45A1T00000G
50	0	0	Y305500000000007	Y30550000000000G	M45x2	M20x1.5	23.5	Y305M45D1T000007	Y305M45D1T00000G
50	0	10	Y305500A00000007	Y305500A0000000G	M45x2	M20x1.5	M25x1.5	Y305M45F1T000007	Y305M45F1T00000G
50	0	23.5	Y305500D00000007	Y305500D0000000G	M45x2	M25x1.5	0	Y305M4501T500007	Y305M4501T50000G
50	0	M25x1.5	Y305500F00000007	Y305500F0000000G	M45x2	M25x1.5	10	Y305M45A1T500007	Y305M45A1T50000G
50	20	0	Y305500012000007	Y30550001200000G	M45x2	M25x1.5	23.5	Y305M45D1T500007	Y305M45D1T50000G
50	20	10	Y305500A12000007	Y305500A1200000G	M45x2	M25x1.5	M25x1.5	Y305M45F1T500007	Y305M45F1T50000G
50	20	23.5	Y305500D12000007	Y305500D1200000G	1½" BSPP	0	0	Y305BA2000000007	Y305BA200000000G
50	20	M25x1.5	Y305500F12000007	Y305500F1200000G	1½" BSPP	0	10	Y305BA2A00000007	Y305BA2A0000000G
50	25	0	Y305500012500007	Y30550001250000G	1½" BSPP	0	23.5	Y305BA2D00000007	Y305BA2D0000000G
50	25	10	Y305500A12500007	Y305500A1250000G	1½" BSPP	0	M25x1.5	Y305BA2F00000007	Y305BA2F0000000G
50	25	23.5	Y305500D12500007	Y305500D1250000G	1½" BSPP	20	0	Y305BA2012000007	Y305BA201200000G
50	25	M25x1.5	Y305500F12500007	Y305500F1250000G	1½" BSPP	20	10	Y305BA2A12000007	Y305BA2A1200000G
50	M20x1.5	0	Y30550001T000007	Y30550001T00000G	1½" BSPP	20	23.5	Y305BA2D12000007	Y305BA2D1200000G
50	M20x1.5	10	Y305500A1T000007	Y305500A1T00000G	1½" BSPP	20	M25x1.5	Y305BA2F12000007	Y305BA2F1200000G
50	M20x1.5	23.5	Y305500D1T000007	Y305500D1T00000G	1½" BSPP	25	0	Y305BA2012500007	Y305BA201250000G
50	M20x1.5	M25x1.5	Y305500F1T000007	Y305500F1T00000G	1½" BSPP	25	10	Y305BA2A12500007	Y305BA2A1250000G
50	M25x1.5	0	Y30550001T500007	Y30550001T50000G	1½" BSPP	25	23.5	Y305BA2D12500007	Y305BA2D1250000G
50	M25x1.5	10	Y305500A1T500007	Y305500A1T50000G	1½" BSPP	25	M25x1.5	Y305BA2F12500007	Y305BA2F1250000G
50	M25x1.5	23.5	Y305500D1T500007	Y305500D1T50000G	1½" BSPP	M20x1.5	0	Y305BA201T000007	Y305BA201T00000G
50	M25x1.5	M25x1.5	Y305500F1T500007	Y305500F1T50000G	1½" BSPP	M20x1.5	10	Y305BA2A1T000007	Y305BA2A1T00000G
60	0	0	Y305600000000007	Y30560000000000G	1½" BSPP	M20x1.5	23.5	Y305BA2D1T000007	Y305BA2D1T00000G
60	0	10	Y305600A00000007	Y305600A0000000G	1½" BSPP	M20x1.5	M25x1.5	Y305BA2F1T000007	Y305BA2F1T00000G
60	0	23.5	Y305600D00000007	Y305600D0000000G	1½" BSPP	M25x1.5	0	Y305BA201T500007	Y305BA201T50000G
60	0	M25x1.5	Y305600F00000007	Y305600F0000000G	1½" BSPP	M25x1.5	10	Y305BA2A1T500007	Y305BA2A1T50000G
60	20	0	Y305600012000007	Y30560001200000G	1½" BSPP	M25x1.5	23.5	Y305BA2D1T500007	Y305BA2D1T50000G
60	20	10	Y305600A12000007	Y305600A1200000G	1½" BSPP	M25x1.5	M25x1.5	Y305BA2F1T500007	Y305BA2F1T50000G
60	20	23.5	Y305600D12000007	Y305600D1200000G	2" BSPP	0	0	Y305BB2000000007	Y305BB200000000G
60	20	M25x1.5	Y305600F12000007	Y305600F1200000G	2" BSPP	0	10	Y305BB2A00000007	Y305BB2A0000000G
60	25	0	Y305600012500007	Y30560001250000G	2" BSPP	0	23.5	Y305BB2D00000007	Y305BB2D0000000G
60	25	10	Y305600A12500007	Y305600A1250000G	2" BSPP	0	M25x1.5	Y305BB2F00000007	Y305BB2F0000000G
60	25	23.5	Y305600D12500007	Y305600D1250000G	2" BSPP	20	0	Y305BB2012000007	Y305BB201200000G
60	25	M25x1.5	Y305600F12500007	Y305600F1250000G	2" BSPP	20	10	Y305BB2A12000007	Y305BB2A1200000G
60	M20x1.5	0	Y30560001T000007	Y30560001T00000G	2" BSPP	20	23.5	Y305BB2D12000007	Y305BB2D1200000G
60	M20x1.5	10	Y305600A1T000007	Y305600A1T00000G	2" BSPP	20	M25x1.5	Y305BB2F12000007	Y305BB2F1200000G
60	M20x1.5	23.5	Y305600D1T000007	Y305600D1T00000G	2" BSPP	25	0	Y305BB2012500007	Y305BB201250000G
60	M20x1.5	M25x1.5	Y305600F1T000007	Y305600F1T00000G	2" BSPP	25	10	Y305BB2A12500007	Y305BB2A1250000G
60	M25x1.5	0	Y30560001T500007	Y30560001T50000G	2" BSPP	25	23.5	Y305BB2D12500007	Y305BB2D1250000G
60	M25x1.5	10	Y305600A1T500007	Y305600A1T50000G	2" BSPP	25	M25x1.5	Y305BB2F12500007	Y305BB2F1250000G
60	M25x1.5	23.5	Y305600D1T500007	Y305600D1T50000G	2" BSPP	M20x1.5	0	Y305BB201T000007	Y305BB201T00000G
60	M25x1.5	M25x1.5	Y305600F1T500007	Y305600F1T50000G	2" BSPP	M20x1.5	10	Y305BB2A1T000007	Y305BB2A1T00000G
M45x2	0	0	Y305M450000000007	Y305M45000000000G	2" BSPP	M20x1.5	23.5	Y305BB2D1T000007	Y305BB2D1T00000G
M45x2	0	10	Y305M45A00000007	Y305M45A0000000G	2" BSPP	M20x1.5	M25x1.5	Y305BB2F1T000007	Y305BB2F1T00000G
M45x2	0	23.5	Y305M45D00000007	Y305M45D0000000G	2" BSPP	M25x1.5	0	Y305BB201T500007	Y305BB201T50000G
M45x2	0	M25x1.5	Y305M45F00000007	Y305M45F0000000G	2" BSPP	M25x1.5	10	Y305BB2A1T500007	Y305BB2A1T50000G
M45x2	20	0	Y305M45012000007	Y305M4501200000G	2" BSPP	M25x1.5	23.5	Y305BB2D1T500007	Y305BB2D1T50000G
M45x2	20	10	Y305M45A12000007	Y305M45A1200000G	2" BSPP	M25x1.5	M25x1.5	Y305BB2F1T500007	Y305BB2F1T50000G

Because of permanent improvement of our products, drawings, descriptions, features used on these data sheets are for guidance only and can be modified without prior advice